

Internal Corner

Item Code and Description

- a. WP3101-EXT . . . External Corner—1 corner
- b. WP3112-EXT . . . External Corner—12 corners

General Product Description

- a. a rugged, flexible, pre-formed corner tape for covering joints to prevent penetration of moisture and provide a sound foundation for tile or stone overlayers
- b. anti-fracture protection between substrates and hard surface coverings
- c. embed with TANK/10® waterproofing compound

Physical Characteristics

- a. pre-formed, seamless internal corners
- b. impermeable
- c. stretches
- d. material composition: substrate — two outer layers of polypropylene non-woven; membrane — one inner layer of polyurethane waterproofing membrane
- e. color: gray
- f. length of each leg: 4¾"
- g. width of each bottom leg: 2³/₈"
- h. height: 3½" at center; 2³/₈" at ends
- i. thickness: .5mm

Performance Characteristics

- a. a seamless, flexible tape for waterproofing internal corner joints
- b. embed with TANK/10® waterproofing compound
- c. use to cover joints between ARC shower bases and surrounding tile underlayment materials
- d. use where three surfaces interface at 90°
- e. provides substantial stretch characteristics for seasonal material movement and crack mitigation
- f. fill gaps beneath tape that are 1/8" wide or more using latex caulk or thinset mortar (do not use silicone)
- g. remove all dirt, debris, and contaminants from surfaces prior to embedding tape
- h. surfaces must be completely dry before embedding tape
- i. tape is not designed as a wear surface; cover with tile, stone, or other appropriate material

Compliance

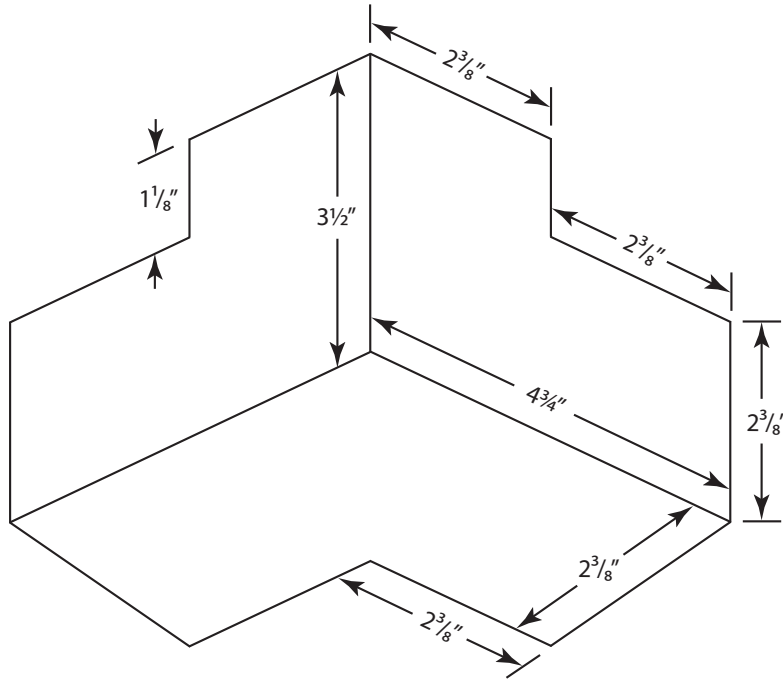
- a. ICC PMG-1248 lists compliance with:
 1. 2015, 2012 and 2009 International Residential Code® (IRC)
 2. 2015, 2012 and 2009 International Plumbing Code® (IPC)
 3. 2015, 2012 and 2009 Uniform Plumbing Code® (UPC)
 4. 2010 and 2005 National Plumbing Code of Canada (NPC)
 5. ANSI A118.10-2008 American National Standard Specification for Load Bearing, Bonded, Waterproof Membranes for Thin-Set Ceramic Tile and Dimension Stone Installation
 6. ICC-ES AC 115-2008 Acceptance Criteria for Waterproof membranes for Flooring and Shower Lining



Other Information

- a. manufacturer warrants to the original owner of the property where product is installed that joint reinforcement tape and gaskets shall be free from defects in the material when properly applied for a period of five years

Internal Corner



Internal Corner
WP3101-EXT . . . 1 corner

Internal Corner
WP3112-EXT . . . 12 corners

